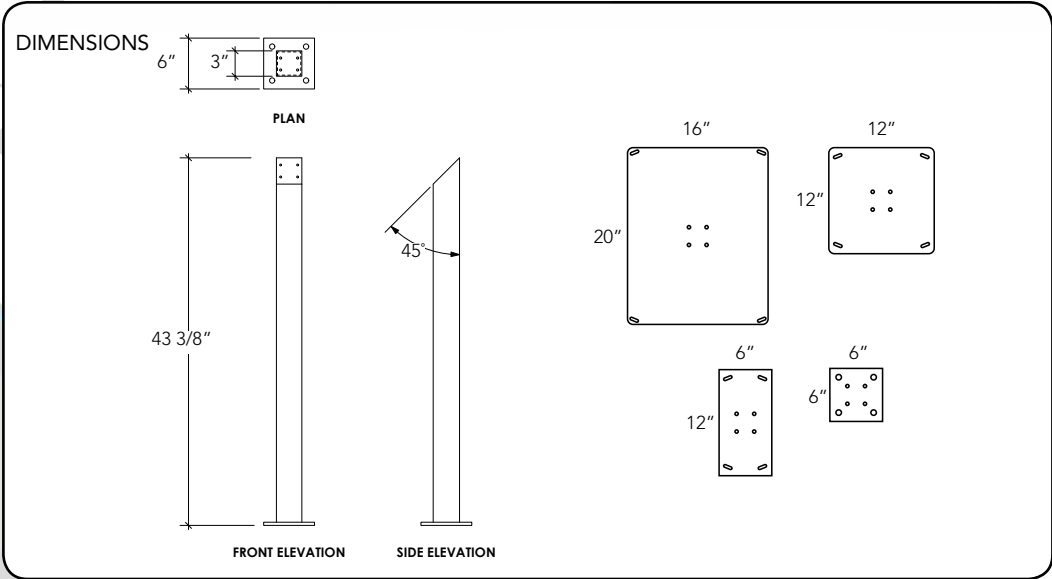




# Supports "Piedestaux"



**Système Huntingdon inc.**  
 110 Wellington  
 Huntingdon, QC  
 Canada J0S 1H0  
 T 450-264-6146 | 800-363-5304  
 F 450-264-6066  
 E info@systemeinc.com  
 W www.systemeinc.com

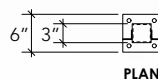


fōlia altō lustrō

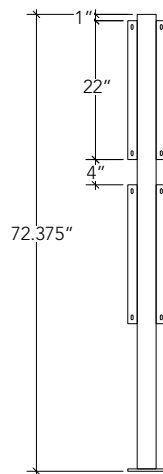
# Supports "Coloniaux"



## DIMENSIONS



PLAN



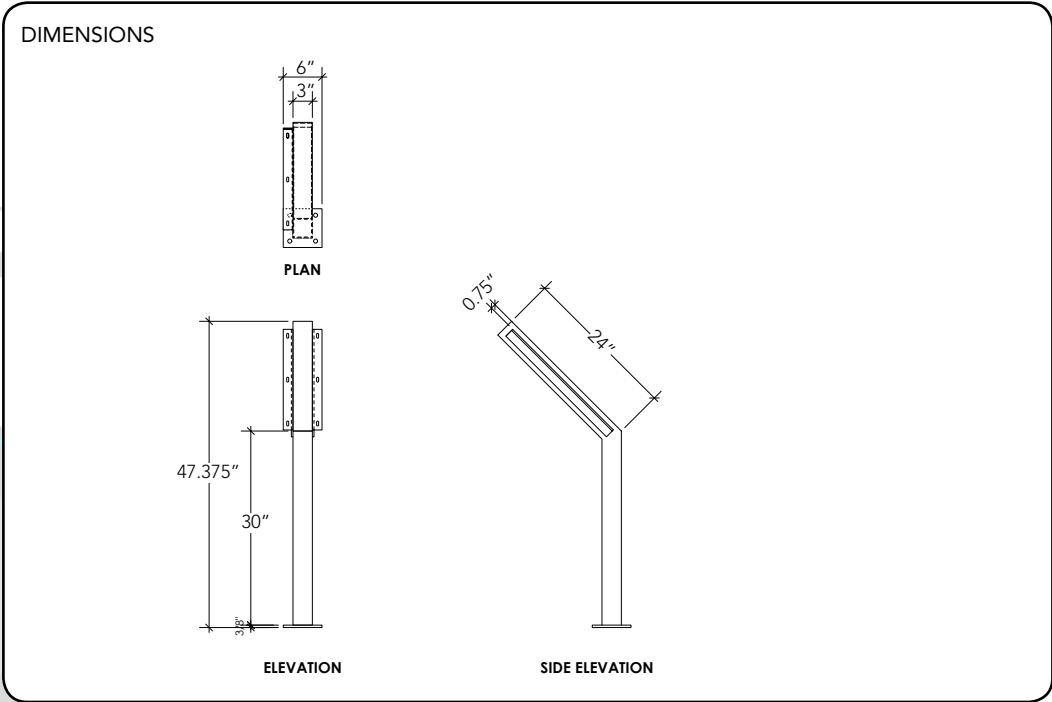
ELEVATION

### Système Huntingdon inc.

110 Wellington  
Huntingdon, QC  
Canada J0S 1H0  
T 450-264-6146 | 800-363-5304  
F 450-264-6066  
E info@systemeinc.com  
W www.systemeinc.com



Supports "Podium"



**Système Huntingdon inc.**  
 110 Wellington  
 Huntingdon, QC  
 Canada J0S 1H0  
 T 450-264-6146 | 800-363-5304  
 F 450-264-6066  
 E info@systemeinc.com  
 W www.systemeinc.com